

| TYPE | YEAR | PROJECT NO. | SHEET NO. |
|------|------|--------------|-----------|
| RFC | 2018 | NH-440-4(84) | E4-ES1 |
| | | | |
| | | | |

EROSION PREVENTION AND SEDIMENT CONTROL (E.P.S.C.) NOTES

REMOVAL AND INSTALLATION OF NOISE WALLS
ESTIMATED DISTURBED AREA: <1 ACRE

ORDER OF CONSTRUCTION ACTIVITIES

STAGE I (CLEARING AND GRUBBING)

- (1) CONTRACTOR SHALL INSTALL SEDIMENT TUBE (T.D.O.T. STD. DWG. NO. EC-STR-37) AND OTHER E.P.S.C. DEVICES PRIOR TO BEGINNING CONSTRUCTION ACTIVITY.
- (2) CONTRACTOR SHALL FIELD-CLOATE TEMPORARY CONSTRUCTION EXITS (T.D.O.T. STD. DWG. NO. EC-STR-25) PER ENGINEER'S APPROVAL.
- (3) CONTRACTOR SHALL INSTALL SEDIMENT TUBE ALONG CONTOURS WHERE POSSIBLE. CONTRACTOR SHALL TURN SEDIMENT TUBE UPGRADIENT AT ENDS OF WORK ZONE.
- (4) ONLY THE MINIMUM AMOUNT OF VEGETATION NECESSARY FOR THE PLACEMENT OF THE NOISE WALLS MAY BE REMOVED AS DIRECTED BY T.D.O.T.
- (5) WHERE POSSIBLE, STUMPS AND ROOTS ARE TO REMAIN TO PREVENT GROUND DISTURBANCE.
- (6) ANY DAMAGE TO VEGETATED AREAS OUTSIDE THE LIMITS OF CONSTRUCTION SHALL BE REPAIRED AT THE CONTRACTOR'S EXPENSE. THESE AREAS ARE TO BE RETURNED TO THEIR PRE-CONSTRUCTION STATE AS DIRECTED AND CONCURRED WITH BY T.D.O.T.

STAGE II (REMOVAL AND INSTALLATION OF NOISE WALLS)

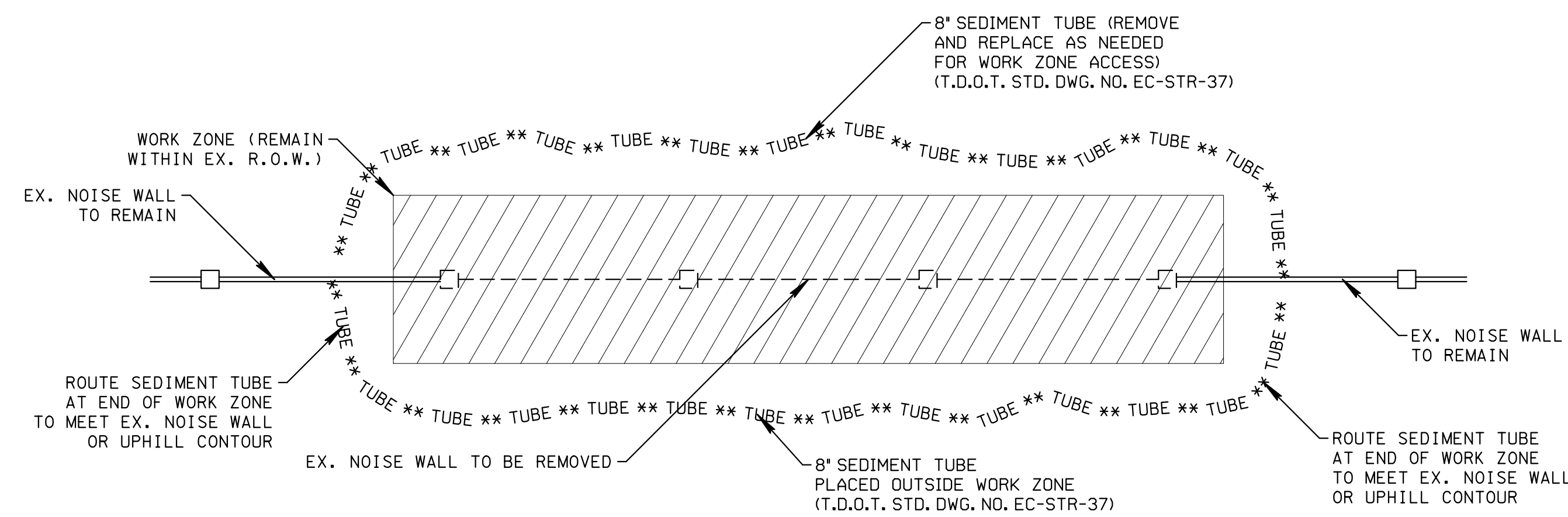
- (1) CONTRACTOR SHALL REMOVE AND REPLACE SEDIMENT TUBE AS NECESSARY TO ACCESS WORK ZONE. CONTRACTOR SHALL REPLACE SEDIMENT TUBE TO PROVIDE PERIMETER CONTROL AT END OF EACH WORK DAY.
- (2) SILT FENCE (T.D.O.T. STD. DWG. NO. EC-STR-3B) SHALL BE INSTALLED ON THE DOWNGRADIENT SIDE OF STOCKPILED SOIL.
- (3) STORMWATER WHICH COLLECTS IN THE POST EXCAVATIONS SHALL BE PUMPED INTO A DEWATERING STRUCTURE (T.D.O.T. STD. DWG. NO. EC-STR-1) OR SEDIMENT FILTER BAG (T.D.O.T. STD. DWG. NO. EC-STR-1) AND TREATED PRIOR TO DISCHARGE.
- (4) CONTRACTOR SHALL INSTALL CATCH BASIN PROTECTION TYPE D (T.D.O.T. STD. DWG. NO. EC-STR-19) OR CURB INLET PROTECTION TYPE 4 (T.D.O.T. STD. DWG. NO. EC-STR-39A) WHERE NECESSARY TO COLLECT TRACKED OR SPILLED SEDIMENT ON ROADWAY SHOULDER.

STAGE III (FINAL CONSTRUCTION)

- (1) CONTRACTOR SHALL RESTORE ALL AFFECTED WET WEATHER CONVEYANCES TO EXISTING TOPOGRAPHIC CONDITIONS AS APPROVED BY T.D.O.T.
- (2) CONTRACTOR SHALL STABILIZE DISTURBED AREA WITH SEEDING AND MULCHING AT CONCLUSION OF WORK.

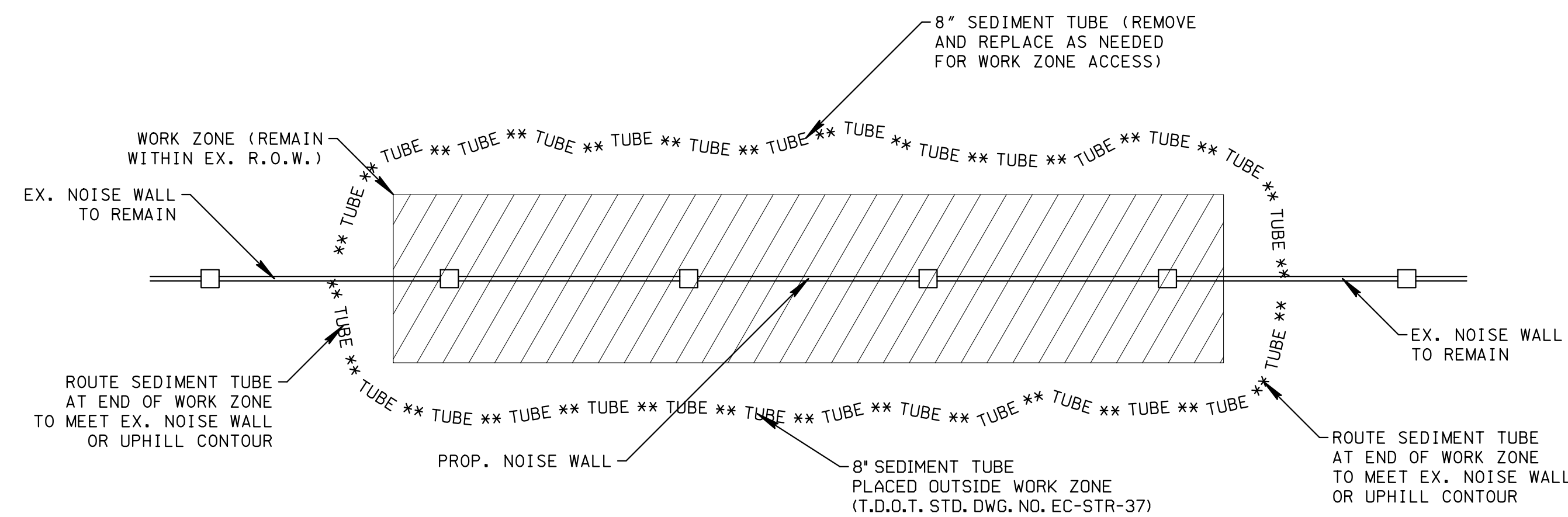
SPECIAL ENVIRONMENTAL FACTORS

- (1) EXCEPT AS OTHERWISE SPECIFIED, THERE ARE NO KNOWN SPECIAL ENVIRONMENTAL FACTORS PRESENT ON THIS PROJECT THAT INDICATE A NEED FOR SEASONAL LIMITATIONS ON THE CLEARING, GRUBBING, EXCAVATION, GRADING, CUTTING OR FILLING OPERATIONS OR ON THE TOTAL AREA OF EXPOSED SOIL.



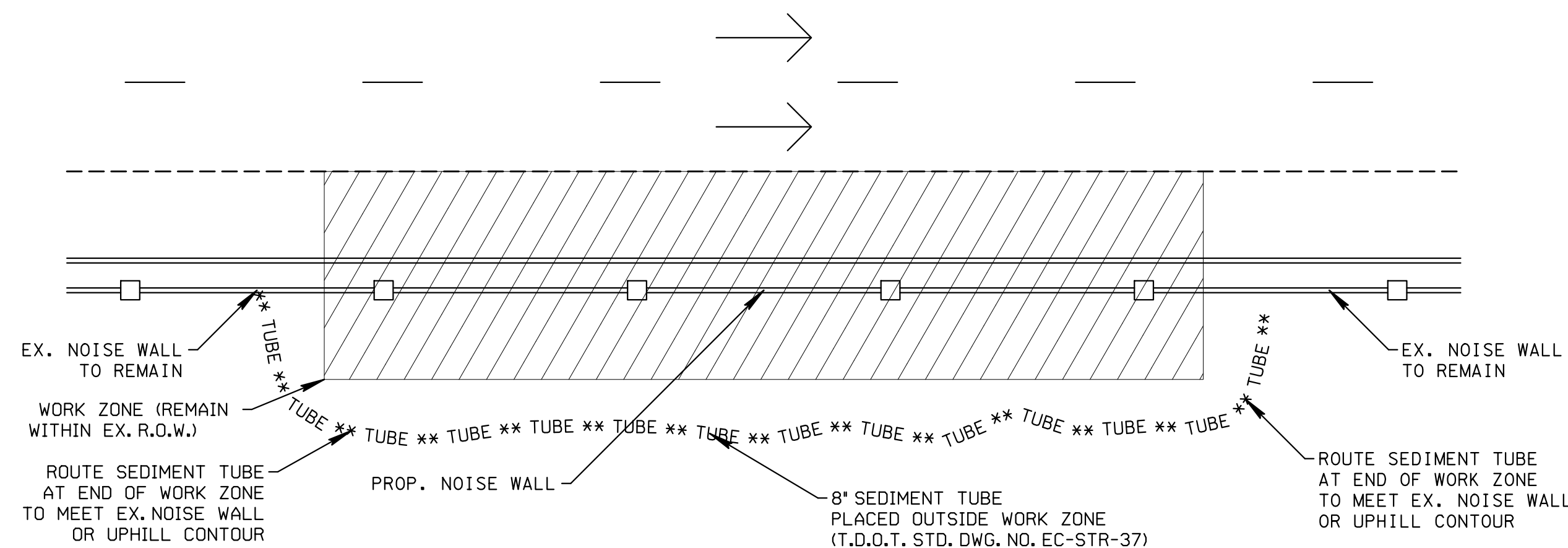
E.P.S.C. DEVICES FOR REMOVAL OF EXISTING NOISE WALL

NOISE WALLS NAA11, NAA13, NAA23A, AND NAA37
NOT TO SCALE



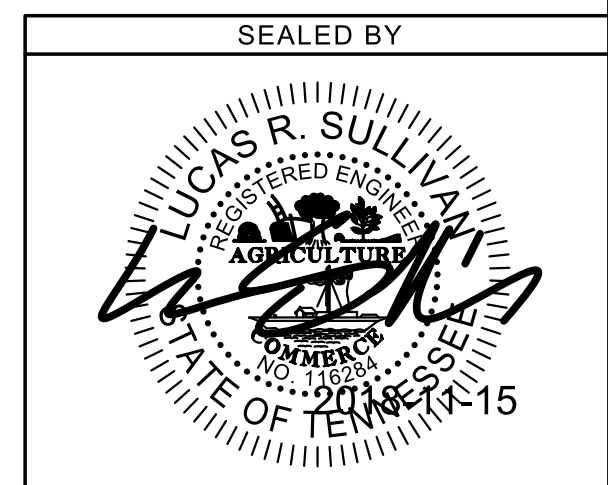
E.P.S.C. DEVICES FOR NOISE WALL INSTALLATION AT TOP OF SLOPE

NOISE WALLS NAA11, NAA13, AND NAA37
NOT TO SCALE



E.P.S.C. DEVICES FOR NOISE WALL INSTALLATION AT ROADSIDE

NOISE WALL NAA23A
NOT TO SCALE



STATE OF TENNESSEE
DEPARTMENT OF
TRANSPORTATION

EROSION
PREVENTION &
SEDIMENT CONTROL
TYPICAL DETAILS